

DESCRIPTION

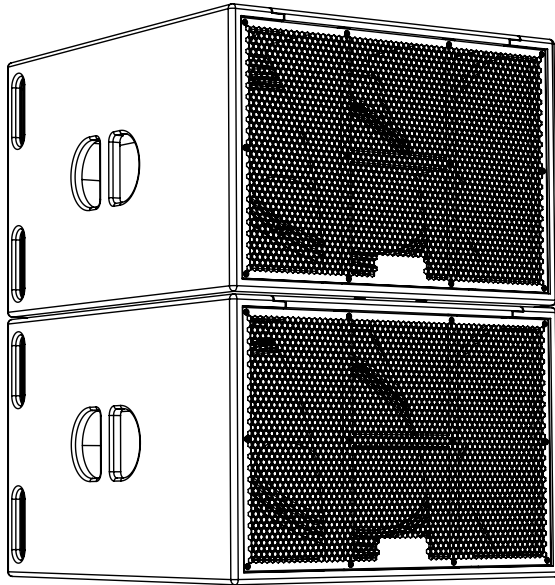
RMB118 is a compact 18" hybrid loaded bass unit.

The speaker's front chamber and the custom designed port geometry makes the RMB118 a natural sounding quasi-band-pass system, capable of very high efficiency on upper bass region as well as moderate low frequency extension.

Finds best application as bass and upper-bass extension with Sub-Bass units, as well as a solid stand-alone bass system for smaller applications.

KEY FEATURES

- Natural yet punchy upper bass character
- Low frequency extension capable
- Very compact form factor vs output
- High efficiency bass output



SPECIFICATIONS

ACOUSTIC	RMB118-N	RMB118-F
Raw Frequency Response	50Hz - 350 Hz (-6 dB)	50Hz - 350 Hz (-6 dB)
Suggested Bandwidth*	50 Hz - 165 Hz	50 Hz - 165 Hz
Sensitivity (1w/1m)	104 dB SPL	104 dB SPL
Max SPL (Peak)**	TBD	TBD
Max SPL (Cont)***	TBD	TBD
Nominal Dispersion	Omnidirectional	Omnidirectional
Sound Color	Warm - Bassy	Warm - Punch

*Suggested filters: BT24 HPF and BT18 LPF for maximum performance with no EQ applied.
 **Calculated with typical 10dB Crest Factor on Measured Continuous Max SPL Capability.
 ***Measured with M-Tone 60s stimulus with 30 Hz BT24 HPF to obtain AVG 2dB Compression.

ELECTRIC	RMB118-N	RMB118-F
Transducers	1 x 18" - 4" VC Neo	1 x 18" - 4" VC Ferrite
AES Rated Power	1200 W	1200 W
Program Power*	2400 W	2400 W
Peak Voltage**	TBD	TBD
Nominal Impedance	8Ω	8Ω
Minimum Impedance	6,3Ω	6,3Ω
Connectors	2 x Neutrik SpeakON	2 x Neutrik SpeakON

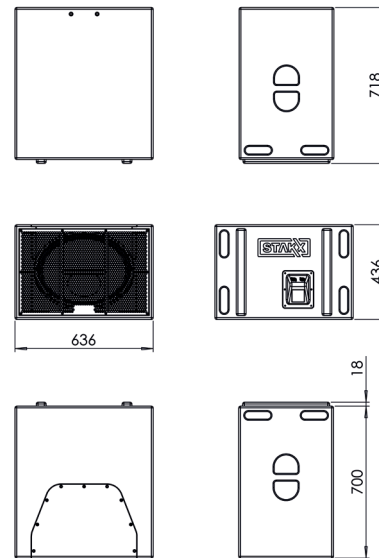
*Program power is defined as 3 dB greater than the AES rating.
 **Max Peak Voltage is defined as Voltage Limiter Setting with 10ms Attack

ENCLOSURE

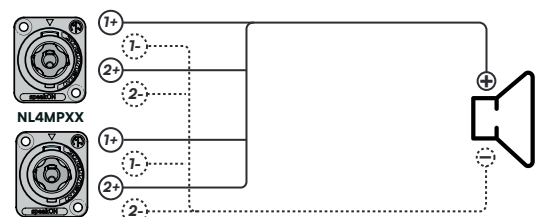
Dimensions	436x 636 x 718 mm
Weight	60 kg / 132 lbs
Material	18mm Russian Birch WBP
Coating	2K Raptor Liner - RAL Colors*
Finish	Embossed paint*
Grille	Powderd coated carbon steel*
Wheels	-

*Customizable on request

TECHNICAL DRAWINGS

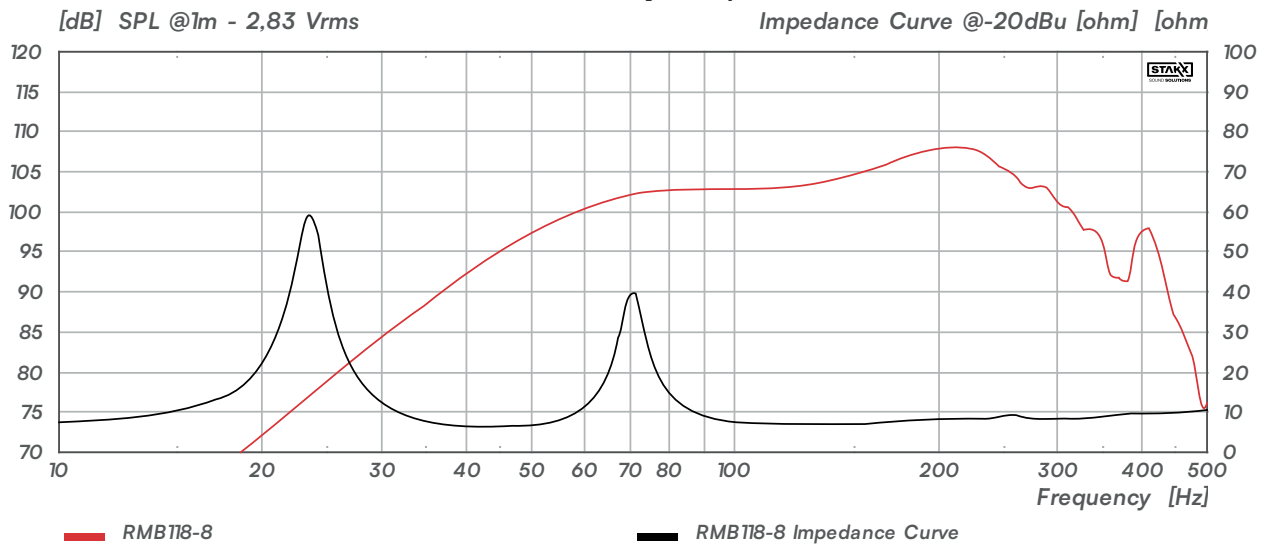


CONNECTION DIAGRAM



*Customizable on request

RMB118 - Sensitivity & Impedance



RMB118-N + DSP

