

## DESCRIPTION

CMT115 is a cardioid two-way arrayable speaker, designed to be used with multi-way bass system.

The proprietary horn design, the asymmetrical vertical coverage and the low-mid passive back rejection prevents the sound from reaching unwanted spots, and focuses energy more evenly towards the audience.

This unique features bring the CMT115 to a next level of sound clarity by reducing reflected sound energy, especially in closed spaces.

## KEY FEATURES

- Proprietary CD horn design for arrayability
- Cardioid dispersion for low-mid rejection
- Asymmetrical vertical dispersion
- Low GD - fast and natural transients

## SPECIFICATIONS

ACOUSTIC	CMT115 - LF	CMT115 - HF
Raw Frequency Response	65 Hz - 3 kHz (-10dB)	600 Hz - 18 kHz (-10dB)
Suggested Bandwidth*	70 Hz - 950 Hz	1,4 kHz - 20 kHz
Sensitivity (1w/1m)	100 dBSPL	113 dBSPL
Max SPL (Peak)**	TBD	TBD
Max SPL (Cont)***	TBD	TBD
Nominal Dispersion	45° x 40° [HxV]	45° x 40° [HxV]
Sound Color	Warm Drummy	Gentle Clarity

\*Suggested filters: BT24 HPF and LR24 LPF for maximum performance with no EQ applied.  
 \*\*Calculated with typical 10dB Crest Factor on Measured Continuous Max SPL Capability.  
 \*\*\*Measured with M-Tone 60s stimulus with 30 Hz BT24 HPF to obtain AVG 2dB Compression.

ELECTRIC	CMT115 - LF	CMT115 - HF
Transducers	1 x 15" - 3" VC	1 x 1,4" - 3" VC
AES Rated Power	600 W	120 W
Program Power*	1200 W	240 W
Peak Voltage**	TBD	TBD
Nominal Impedance	8Ω	16Ω
Minimum Impedance	7,6Ω	14,7Ω
Connectors	2 x Neutrik SpeakON	

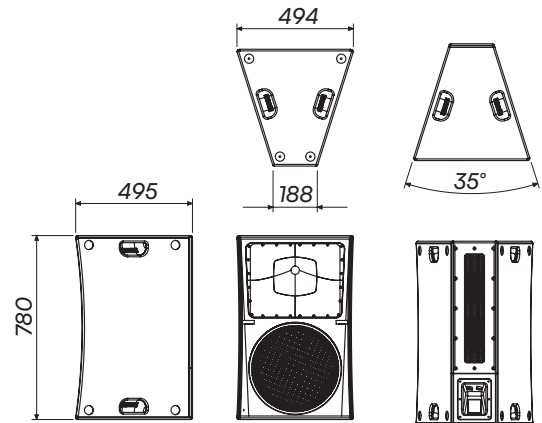
\*Program power is defined as 3 dB greater than the AES rating.  
 \*\*Max Peak Voltage is defined as Voltage Limiter Setting with 10ms Attack

## ENCLOSURE

Dimensions	780x 495 x 494 mm
Weight	30 kg / 220 lbs
Material	15mm Russian Birch WBP
Coating	2K Raptor Liner - RAL Colors*
Finish	Embossed paint*
Grille	Powder coated carbon steel*
Wheels	No Wheels*

\*Customizable on request

## TECHNICAL DRAWINGS



## CONNECTION DIAGRAM

